

MID WEST PRODUCTS, INC.

HANDY CADDY/"TRACTOR SEAT ON WHEELS" MODEL GC-400R

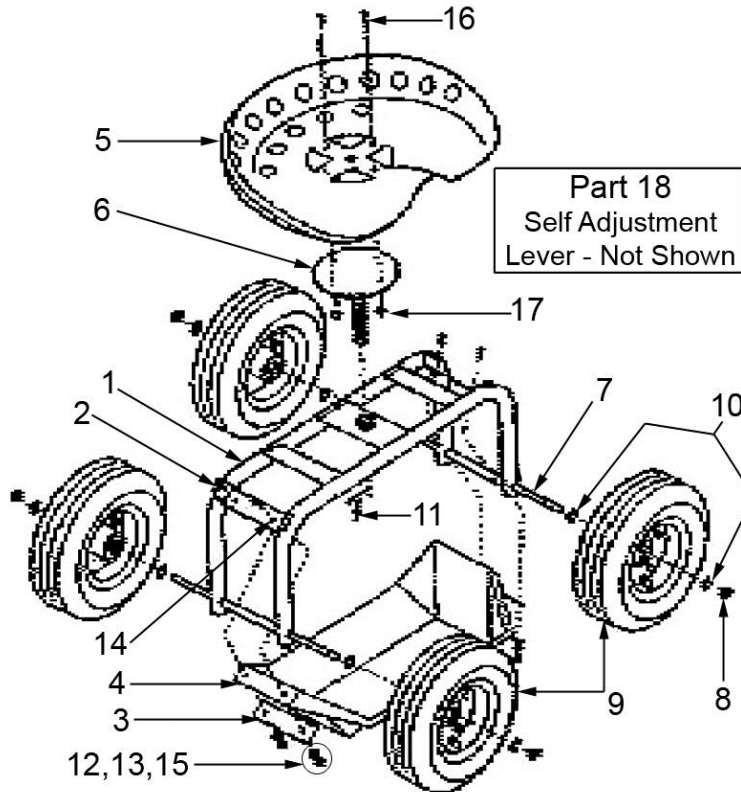


Owner's Manual and Parts List

SAVE THIS MANUAL

You will need this manual for the safety instructions, assembly instructions and parts list. Put it in a safe, dry place for future reference.

ASSEMBLY



1. Remove parts from carton and lay on a flat surface.
2. Matching up all the predrilled holes, attach the Tray Bracket (2) to the Frame (1), the Plastic Tray (4) and the Reinforcing Plate (3) using the Screws (14), Small Washers (12), Lock Washers (13), and Small Nuts (15). Tighten hardware. See Assembly Drawing.
3. Slide both Axles (7) into the Frame (1). Slide the Large Washer (10), the Wheel (9) (be sure the valve stem is facing out), and the other Large Washer (10) onto the Axle. Thread a Nylon Axle Nut (8) onto the end of Axle and tighten, leaving enough space to permit the Wheel to turn freely. Repeat for all Wheels.
4. Be sure the Adjustment Lever (18) is screwed onto Seat Post (6). The Seat (5) is attached to the Seat Post (6) with four Tapered Bolts (16) and Flange Nuts (17). Twist Seat (5) and Seat Post (6) assembly into the Frame (1) clockwise. The threaded Post needs to be seen from below the Frame. Inset the Cotter Pin (11) through hole in the Post. Spread open the Cotter Pin (11).
5. Loosen Adjustment Lever (18) to set the desired height. Adjust Seat height by rotating the Seat in the Frame. Rotate Adjustment Lever (18) to secure seat post in position. The Adjustment Lever (18) will prevent the Seat from lowering beyond the desired height. Before each use, check the Seat (5) to make sure that the Seat is securely in place with all hardware tightened down.

GUARANTEE

The merchandise you have purchased from us has been carefully engineered and manufactured under Mid West Products rigid quality standards and should give you satisfactory, dependable operation. However, like all mechanical merchandise, it may occasionally require adjustment or maintenance. Should you need technical assistance, please contact MID WEST PRODUCTS.

OPERATION

1. Mount your caddy as you would a bicycle. Keeping feet on the ground.
2. When moving forward, do it in a walking fashion at a slow pace.

SAFETY INSTRUCTIONS

1. Do not exceed the Recommended Product Weight Capacity of 300 pounds. Doing so can result in personal injury and/or damage to the product.
2. Do not use this Handy Caddy as a toy. It is not designed for use by children.
3. Do not use on inclines or city streets.

PARTS LIST

Key	Description	Qty.
1	Frame	1
2	Tray Bracket	2
3	Reinforcing Plate	2
4	Plastic Tray	1
5	Seat	1
6	Seat Post	1
7	Axle	2
8	Nylon Axle Nut	4
9	Wheel	4
10	Large Washer	4
11	Cotter Pin	1
12	Small Washer	4
13	Lock Washer	4
14	Screw	4
15	Small Nut	4
16	Tapered Bolt	4
17	Flange Nut	4
18	Seat Adjustment Lever	1

Please read all instructions before using the product!

1. Keep work area clean and uncluttered to avoid injuries.
2. Keep children away from this product. This is not a toy.
3. Use eye and ear protection. Always wear approved impact safety goggles when assembling this product.
4. Do not overreach. Keep proper footing and balance at all times when assembling this product.

Do not exceed the recommended product weight capacity. Doing so can result in personal injury and/or damage to the product. If you sit down quickly onto the work seat, it may create for a brief instant, an excess load, which may result in damage to the work seat and/or personal injury.

INSTRUCTIONS FOR ORDERING PARTS

(Minimum Parts Order Charge \$20.00)

1. Address all parts orders or correspondence regarding customer service to one of the following:
Parts Dept. Phone: (937) 337-3641
Mid West Products, Inc. Fax: (937) 337-0755
P.O. Box 301 E-mail: Parts@Mid-West-Products-Inc.com
Phillipsburg, OH 45354 Website: www.Mid-West-Products-Inc.com
2. Write your name and address plainly (print or type).
3. Explain where and how to ship.
4. Give model number of unit.
5. Give part number from parts list, as well as a description, including color, of the part and the quantity you need.
6. Inspect all shipments you receive. If any parts are damaged or missing, file a claim with the carrier before accepting.
7. If you are returning parts, be sure to include WITH THE SHIPMENT a list of the parts with your name and address.
8. All orders for repair and replacement parts will be shipped when paid with Master Card, Visa, or personal check/money order. Prices subject to change without notice.

OTHER LAWN & GARDEN TOOLS FROM MID WEST PRODUCTS, INC.

WOODEN UTILITY CARTS—GC 20 OR GC 26

It has a gate that lifts out to unload bulky loads like mulch, soil, gravel, firewood or waste and also allow it to carry longer items. Once you have one, you'll wonder what you ever did without it!

The Standard Utility Cart has two 20" pneumatic wheels and a cargo capacity of 6.5 cubic feet or up to 300 pounds.

The Heavy-Duty Utility Cart has two 26" pneumatic wheels and a cargo capacity of 11.3 cubic feet or up to 400 pounds.



VEGETABLE GARDEN ROW SEED PLANTER—GSF 31M

- ALL-IN-ONE item that can simultaneously Plant and Fertilize Seeds as well as Mark Rows.
- □It only weighs 14 lbs. and NO TOOLS are REQUIRED for Assembly.
- Attached Pouch for extra seed, notes, gloves, and other needed items.
- High Strength Powder Coated Steel Frame and Seed Tube.
- The unit is Rear-Wheel Belt Driven for Positive, Even Seeding and No Messy Chain to pull the seeds out of the ground.

31" DELUXE PUSH LAWN SWEEPER—B 319

- The "Butterfly" Handles Increase the Hamper Capacity to a Huge 8.5-Bushel.
- Big 10" Precision Molded Plastic Wheels with Ribbed Tread Rubber Tire...Makes this Unit Easy to Push.
- The Rear Swivel Casters Help Make this Easy to Maneuver.
- Our Easy to Operate One-Hand "Squeeze Me" Height Adjustment Makes it Easy to go From Grass to Pavement.
- The Removable Hamper Allows for Easy Dumping and Fold Away Storage.



HIGH WHEEL CULTIVATOR—HWC 243A

- 24" Steel Wheel For Easy Handling
- Special Selection of 3 Tools (Mol-board Plow, Reversible Shovel, Welded Five-Tine Cultivator)
- Slotted Foot For Plow Attachments Enables Easy Adjustment of Cutting Depth and Angle
- Handle Folds Easily For Storage or Transportation