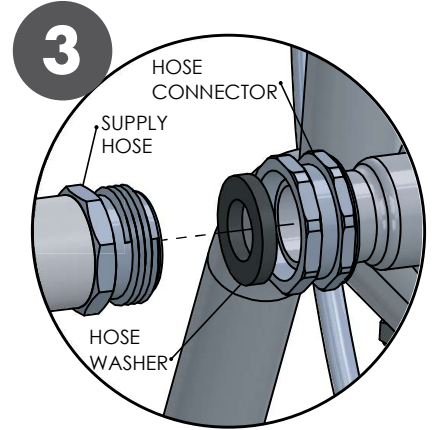
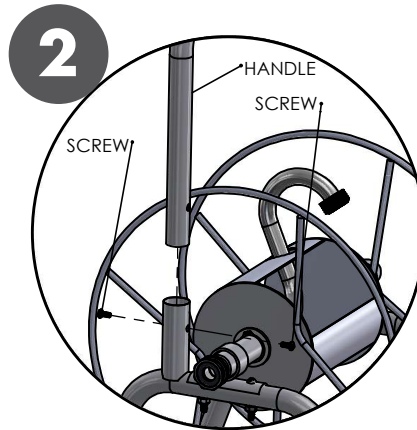
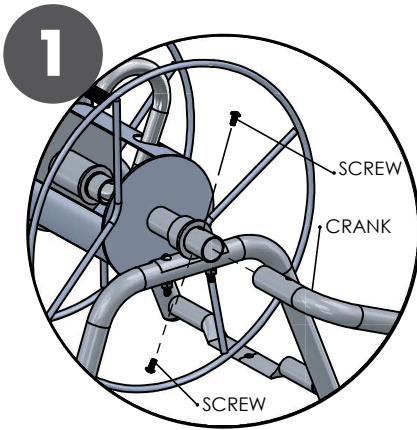
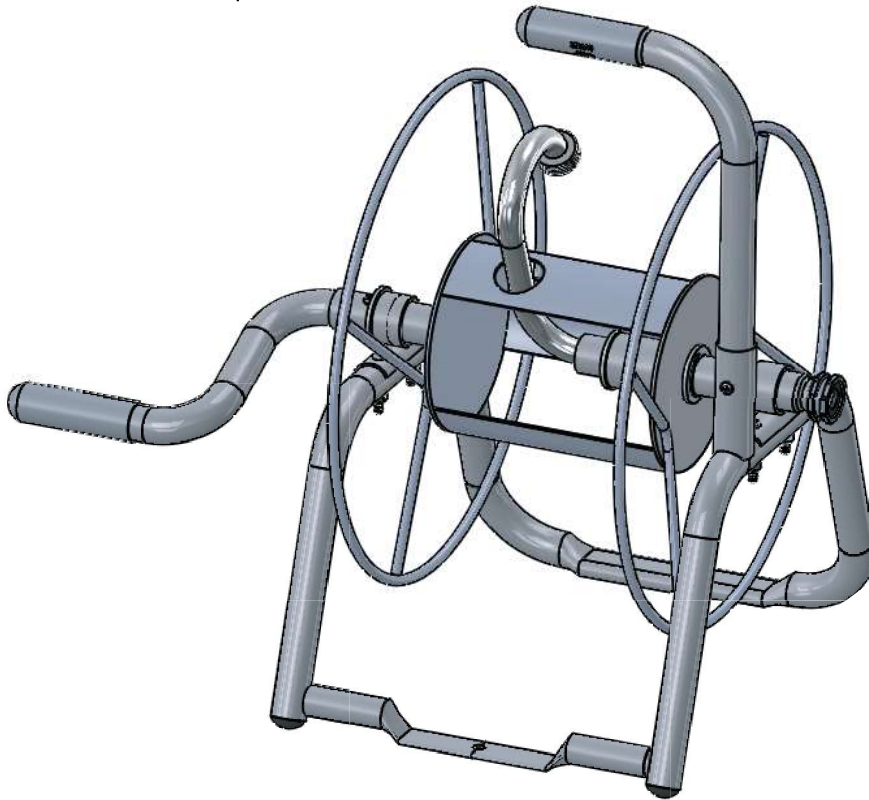


HANDY REEL ASSEMBLY INSTRUCTIONS

Questions?
Let Lewis Tools Customer Service help!
Call 1-800-589-7058 or
Email customerservice@lewistools.com



STEP 1

ATTACH CRANK AND
SECURE WITH SCREWS..



STEP 2

ATTACH HANDLE AND
SECURE WITH SCREWS.

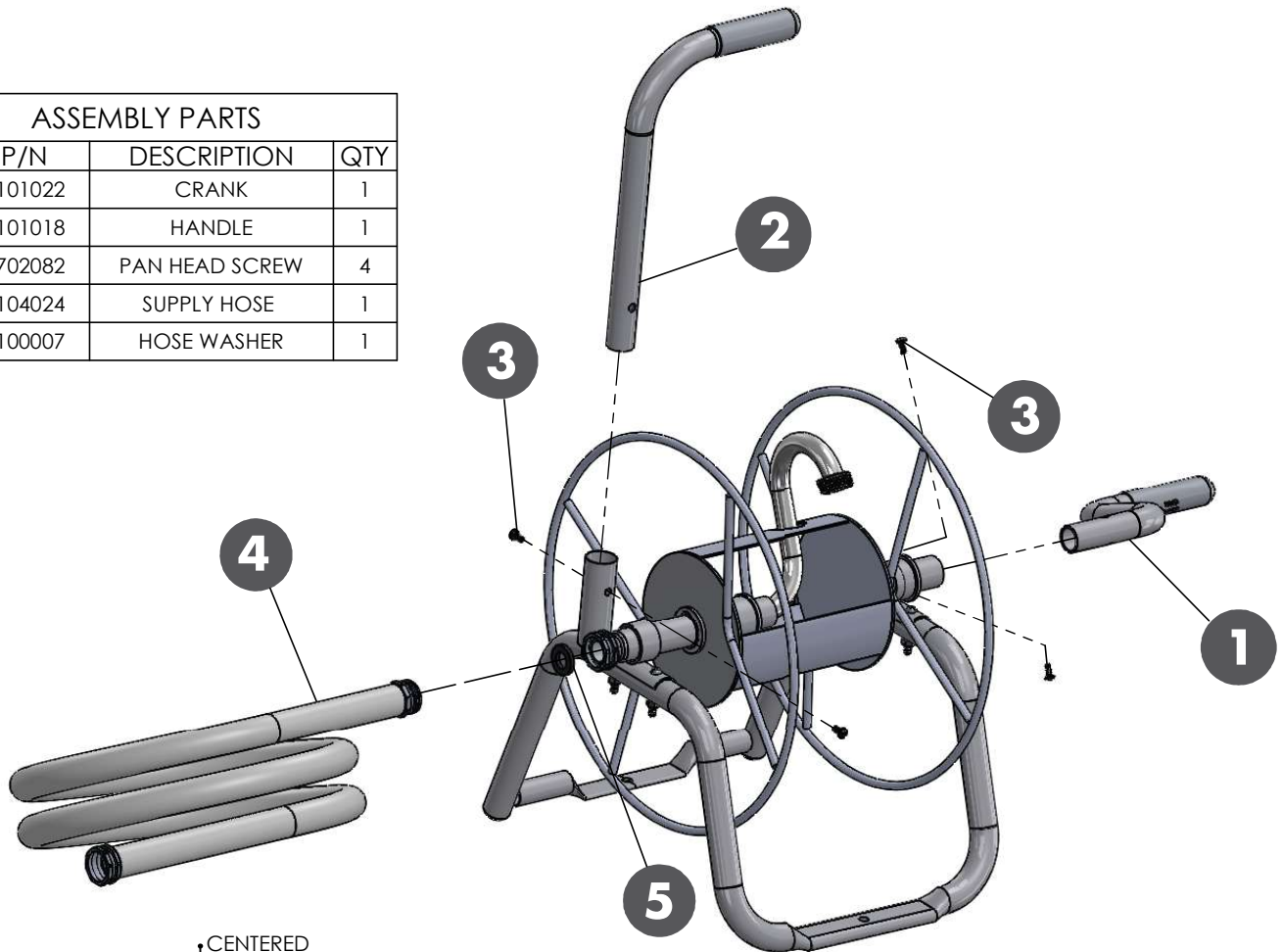


STEP 3

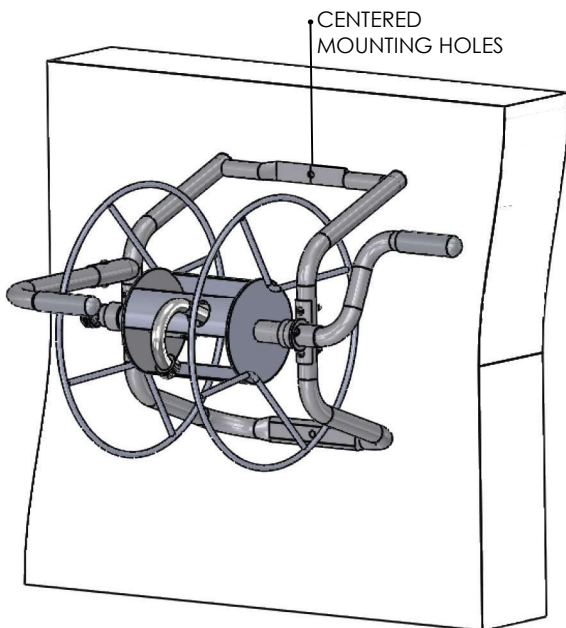
BE SURE THE HOSE WASHER IS
INSIDE THE HOSE CONNECTOR
BEFORE CONNECTING THE
SUPPLY HOSE.

HANDY REEL ASSEMBLY INSTRUCTIONS

ASSEMBLY PARTS			
ITEM	P/N	DESCRIPTION	QTY
1	9101022	CRANK	1
2	9101018	HANDLE	1
3	5702082	PAN HEAD SCREW	4
4	6104024	SUPPLY HOSE	1
5	6100007	HOSE WASHER	1



PARTS VIEW



OPTIONAL WALL MOUNT

UTILIZE CENTERED MOUNTING HOLES
HARDWARE NOT INCLUDED

LIMITED LIFETIME GUARANTEE

At Lewis Tools we design and build all of our Handy Reels to provide you with many years of service and satisfaction. We provide the following limited guarantee:

Handy Reels are guaranteed for life to be free from any defect in materials or workmanship.

En Lewis Tools diseñamos y construimos todos nuestros Handy Reels para proporcionarle muchos años de servicio y satisfacción.

Ofrecemos la siguiente garantía limitada:

Los Handy Reel están garantizados de por vida estan libre de cualquier defecto en materiales o mano de obra.

Chez Lewis Tools, nous concevons et construisons toutes nos bobines Handy à vous fournir de nombreuses années de service et de satisfaction.

Nous fournissons la garantie limitée suivante:

Handy Reels sont garantis à vie pour être libre de tout défaut de matériaux ou de fabrication.