

Art. #: H-515

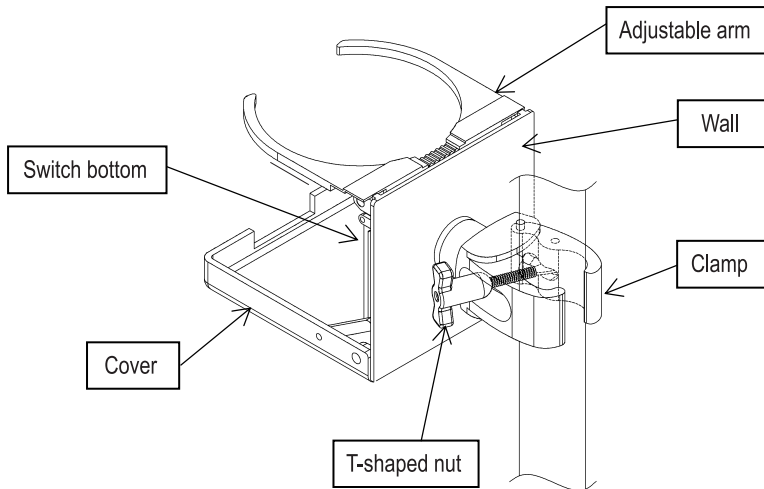
Adjustable drink holder w/Universal removal mounting system.

Installation:

- 1: Loosen the T-Shape nut and open the Clamp, then clip the Clamp on tube and tighten the T-Shape nut. (The Clamp is suitable use for mount on almost all of any shaped tube of Beach-chairs, Bicycles, Rollators, Strollers, Wheelchairs at any angle, also for some of desktop edge).
Attn. : Please make sure the Clamp is clamped on the tube tightly and safely before use the drink holder.
- 2: Flip down Cover, press and hold the Switch bottom on the center of Wall, rotate the drink holder to the Cover is horizontal. (The drink holder can rotate 360 degree), release the Switch bottom.

How to use:

- 1: Flip down Cover, then flip Arms up and out for adjusts to the size you need.
- 2: To close the drink holder when not in use, adjust the Adjustable arms to smallest size and hold down, then flip up the Cover. (It is important to hold Adjustable arms at the thick back section of the Arms when pulling them apart or closing them, do not pulling them at thin front parts).



USA Pat. #: 10,531,755 B1

Worldwide Patented

Made in Taiwan

Fast install! No tools require! Removable! Portable!