



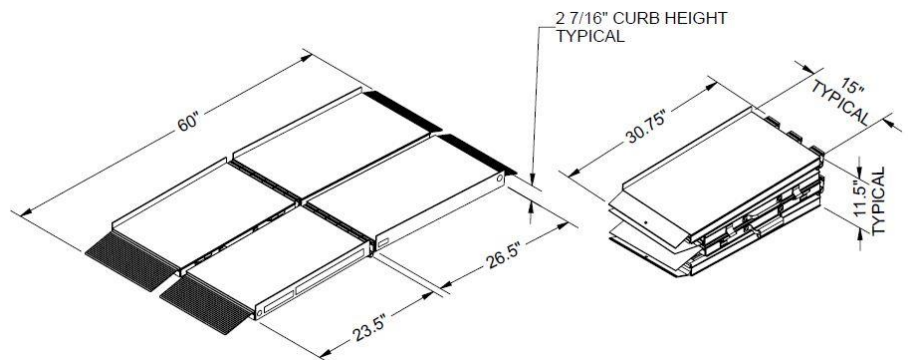
SUITCASE® Trifold® AS Ramp Technical Specifications

MODEL	SUITCASE TFAS05	SUITCASE TFAS06	SUITCASE TFAS07	SUITCASE TFAS08	SUITCASE TFAS10
MADE OF ALUMINUM	✓	✓	✓	✓	✓
SLIP-RESISTANT SURFACE	✓	✓	✓	✓	✓
BUILT-IN CARRYING HANDLE	✓	✓	✓	✓	✓
USABLE SIZE (L x W)	5' x 29.5"	6' x 29.5"	7' x 29.5"	8' x 29.5"	10' x 29.5"
FOLDED SIZE (L x W x H)	30.75" x 15" x 11.5"	36.75" x 15" x 11.5"	42.75" x 15" x 11.5"	48.75" x 15" x 11.5"	60.75" x 15" x 11.5"
WEIGHT*	16 lbs./section (x2)	19 lbs./section (x2)	22 lbs./section (x2)	25 lbs./section (x2)	30 lbs./section (x2)
WEIGHT CAPACITY (DO NOT EXCEED)	800 lbs.	800 lbs.	800 lbs.	800 lbs.	800 lbs.
FOR WHEELCHAIRS & SCOOTERS	✓	✓	✓	✓	✓
USAGE GUIDELINES (RISE)**	Curbs, 1-2 steps, some minivans	1-3 steps, some minivans & SUVs	1-3 steps, some minivans & SUVs	2-3 steps, some minivans & SUVs	2-4 steps, some minivans & SUVs
WARRANTY	Lifetime Limited	Lifetime Limited	Lifetime Limited	Lifetime Limited	Lifetime Limited

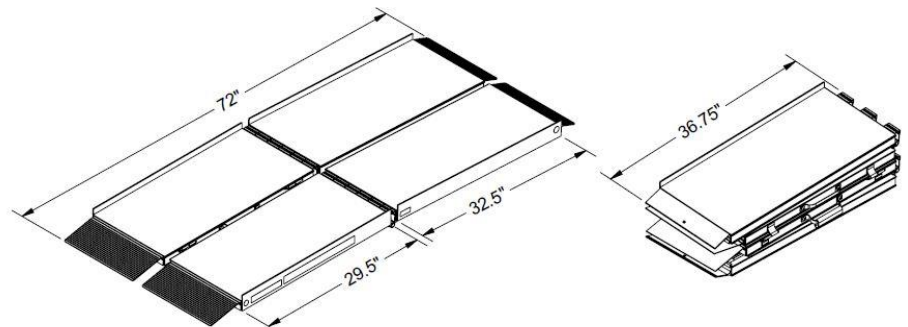
* Weights and dimensions are approximate and subject to change.

** Consult your equipment's owner guide for proper degree of incline. Never exceed its recommendations.

SUITCASE TFAS05



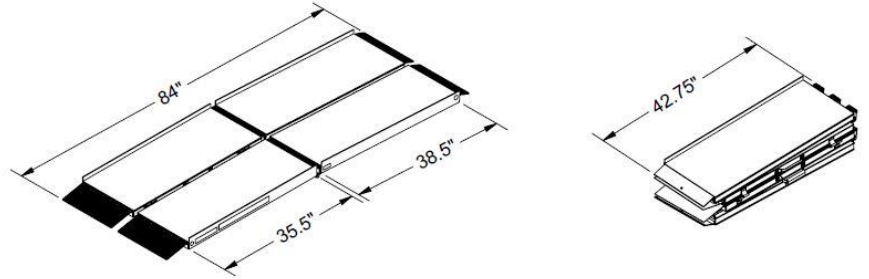
SUITCASE TFAS06



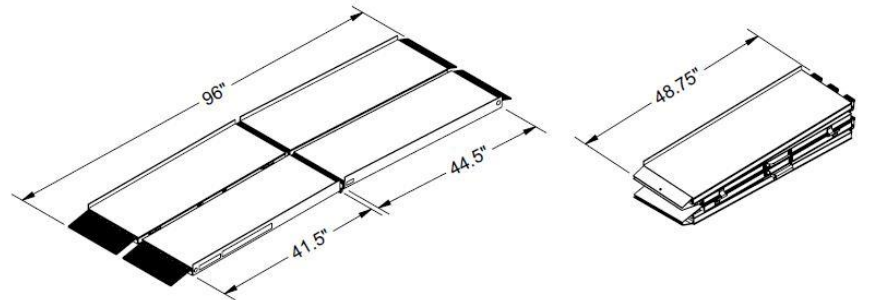


SUITCASE® Trifold® AS Ramp Technical Specifications

SUITCASE TFAS07



SUITCASE TFAS08



SUITCASE TFAS10

